

Automatic Lubrication System Fittings

LIPC16.008 Rev 01



lubecore™

NEXT generation automated lubrication

Document Information

Title: Parts Manual Automated Lubrication System Fittings

Revision: 01

Original Publication date: 2016

Revision date: January 2021

All rights reserved. No part of this publication may be copied and/or published by any means without obtaining prior written permission from Lubecore™. Due to continuous product development and improvement Lubecore reserves the right to update parts at any time, the contents of this manual may also be changed without prior notice. This manual applies to the standard version of the product. Lubecore cannot accept liability for any damage arising from the use of this publication. Please contact Lubecore in case of any questions related to the revision of, required service, repairs and or maintenance as described in this publication.

TABLE OF CONTENTS

1	SECONDARY LINE CUBES ADAPTERS	4
2	SECONDARY LINE : SWIVEL FITTINGS.....	5
3	SECONDARY LINE : STRAIGHT ADAPTERS	6
4	SECONDARY LINE FITTINGS: 4mm	7
5	SECONDARY LINE FITTINGS:5mm	8
6	SECONDARY LINE FITTINGS: 6mm	9
7	MAIN LINE FITTINGS: 8 mm	10
8	SECONDARYLINE: 1/4 Inch Fittings.....	11
9	MAIN LINE FITTINGS: 5/16 Inch	11
10	ZERK AND QUICK DISCONNECT FITTINGS.....	12
11	FILL AND FILTER ADAPTERS.....	13
12	AUTOMATED LUBRICATION SYSTEM: REDUCER FITTINGS.....	15
13	STANDARD FITTINGS	16
14	CERTIFIED AIR FITTINGS:DOT - (Department Of Transport)	18
15	HYDRAULIC FITTINGS:JIC - (Joint Industry Council).....	19
16	AUTOMATED LUBRICATION SYSTEM: PLUGS	21
17	REUSABLE INSERTS & SLEEVE FITTINGS	23
18	AUTOMATED LUBRICATION SYSTEM: INSERTS, CLAMPS & TOOLS.....	24

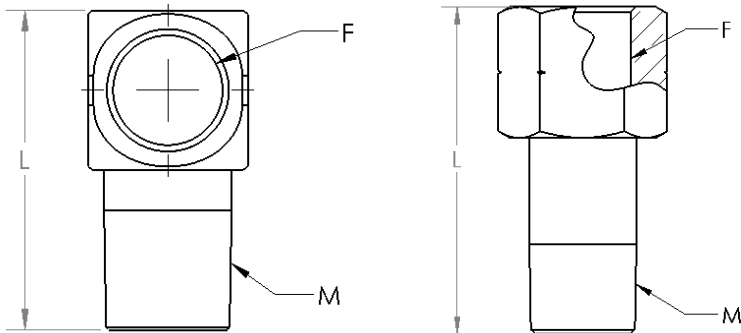
1 SECONDARY LINE CUBES ADAPTERS

I.D.	Part#	Description	Male Thread	Thread Type	Female Thread	Thread Type	Length		Material
			M		F		L		
1.1	20.001	90° Cube Connector	1/4 - 28	UNF	1/8 - 28	BSPT	21.0 mm	53/64"	Steel
1.2	20.002		1/4 - 28	UNF	1/8 - 28	BSPT	33.0 mm	1-5/16"	Steel
1.3	20.003		1/8 - 27	NPT	1/8 - 28	BSPT	25.5 mm	1"	Steel
1.4	20.004		1/8 - 27	NPT	1/8 - 28	BSPT	38.3 mm	1-1/2"	Steel
1.5	20.005		1/8 - 27	NPT	1/8 - 28	BSPT	51.0 mm	2"	Steel
1.6	20.012		1/8 - 27	NPT	1/8 - 28	BSPT	21.0 mm	13/16"	Steel
1.7	20.028		M8 - 1.00	Metric	1/8 - 28	BSPT	21.0 mm	53/64"	Steel
1.8	20.059		M6 - 1.00	Metric	1/8 - 28	BSPT	19.7 mm	25/32"	Steel
1.9	20.060		1/8 - 28	BSPT	1/8 - 28	BSPT	25.5 mm	1"	Steel
1.10	20.061		1/8 - 28	BSPT	1/8 - 28	BSPT	38.3 mm	1-1/2"	Steel
1.11	20.062		1/8 - 28	BSPT	1/8 - 28	BSPT	51.0 mm	2"	Steel
1.12	21.228		1/8 - 27	NPT	1/8 - 27	NPT	25.8 mm	1-1/64"	Brass
1.13	50.593		1/4 - 28	UNF	1/8 - 28	BSPT	21.0 mm	53/64"	Steel
1.14	54.347		1/4 - 28	UNF	1/8 - 28	BSPT	21.0 mm	53/64"	Steel
1.15	54.348		1/4 - 28	UNF	1/8 - 28	BSPT	33.0 mm	1-5/16"	Steel



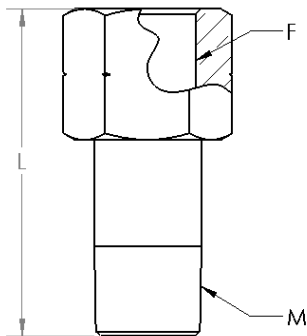
2 SECONDARY LINE : SWIVEL FITTINGS

I.D.	Part#	Description	Male Thread	Thread Type	Female Thread	Thread Type	Length		Material
			M		F		L		
2.1	20.262	Swivel Fitting	1/8-28	BSPT	1/8 - 28	BSPT	40.8 mm	1.6"	Brass
2.2	35.031		1/8-27	NPT	1/8-27	NPT	28.0 mm	1.1"	Brass
2.3	35.030		1/8-27	NPT	1/8-27	NPT	20.8 mm	13/16"	Brass



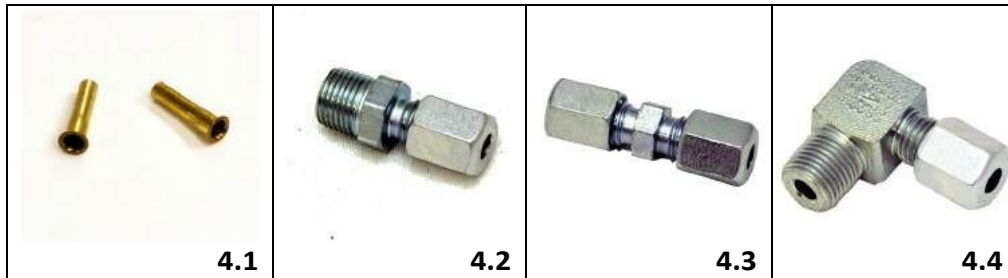
3 SECONDARY LINE : STRAIGHT ADAPTERS

I.D.	Part#	Description	Male Thread	Thread Type	Female Thread	Thread Type	Length		Material
			M		F		L		
3.1	20.006	Straight Adapter	1/4 - 28	UNF	1/8 - 28	BSPP	17.0 mm	21/32"	Steel
3.2	20.027		M8 - 1.00	Metric	1/8 - 28	BSPP	18.5 mm	21/32"	Steel
3.3	20.055		M10 - 1.50	Metric	1/8 - 28	BSPP	20.8 mm	13/16"	Brass
3.4	20.063		1/8 - 28	BSPT	1/8 - 28	BSPP	22.1 mm	7/8"	Brass
3.5	20.064		1/8 - 28	BSPT	1/8 - 28	BSPP	31.7 mm	1 - 1/4"	Brass
3.6	20.067		1/4 - 28	UNF	1/8 - 28	BSPT	63.5 mm	2 - 1/2"	Steel
3.7	21.069		1/8 - 27	NPT	1/8 - 27	NPT	22.0 mm	7/8"	Brass



4 SECONDARY LINE FITTINGS: 4mm

I.D.	Part#	Description	Fitting Type	Male Thread	Thread Type	Material
4.1	10.092	4 mm Tube & Line Fittings	Tube Insert	1/8 - 28	BSPT	Brass
4.2	20.034		Straight Compression	1/8 - 28	BSPT	Steel
4.3	20.036		Union			Steel
4.4	20.051		Elbow Compression	1/8 - 28	BSPT	Steel



5 SECONDARY LINE FITTINGS: 5mm

I.D.	Part#	Description	Fitting Type	Male Thread	Thread Type	Material
5.1	20.007	5 mm Tube & Line Fittings	Straight Push to Connect	1/8 - 28	BSPT	Nickel Plated Brass
5.2	20.022		Straight Compression	1/8 - 28	BSPT	Brass
5.3	20.024		Elbow Compression	1/8 - 28	BSPT	Brass
5.4	20.025		Union Compression			Brass
5.5	20.056		Conical Straight Compression	M6 x 1.0	Metric	Steel
5.6	20.068		Tee Push Branch Connector			Nickel Plated Brass
5.7	20.069		Elbow Push to Connect		1/8 - 27	NPT



6 SECONDARY LINE FITTINGS: 6mm

I.D.	Part#	Description	Fitting Type	Male Thread	Thread Type	Material
6.1	20.031	6 mm Tube & Line Fittings	Straight Compression	1/8 - 28	BSPT	Brass
6.2	20.046		Elbow Compression	1/8 - 28	BSPT	Brass
6.3	20.200		Elbow Push to Connect	1/8 - 28	BSPT	Steel
6.4	20.201		Straight Push to Connect	1/8 - 28	BSPT	Nickel Plated Brass
6.5	20.207		Elbow Compression	1/8 - 28	BSPT	Steel
6.6	20.208		Straight Compression	1/8 - 28	BSPT	Steel
6.7	20.214		Union Push to Connect			Nickel Plated Brass
6.8	20.218		Elbow Swivel Push to Connect	1/8 - 28	BSPT	Nickel Plated Brass
6.9	20.221		Tee Compression			Steel
6.10	20.241		Union Compression			Brass
6.11	20.301		SS - Elbow Compression	1/8 - 28	BSPT	Steel



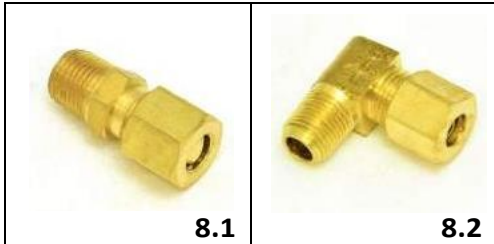
7 MAIN LINE FITTINGS: 8 mm

I.D.	Part#	Description	Fitting Type	Male Thread	Thread Type	Material
7.1	21.001	8 mm Tube & Line Fittings	Union Compression			Brass
7.2	21.002		Tee Compression			Brass
7.3	21.004		Elbow Compression	1/4 - 19	BSPT	Brass
7.4	21.005		Straight Compression	1/4 - 19	BSPT	Brass
7.5	21.035		Straight Compression	1/8 - 28	BSPT	Brass
7.6	21.045		Elbow Compression	1/8 - 28	BSPT	Brass
7.7	21.113		Straight Compression	1/4 - 19	BSPT	Steel
7.8	21.114		Elbow Compression	1/4 - 19	BSPT	Steel



8 SECONDARY LINE: 1/4 Inch Fittings

I.D.	Part#	Description	Fitting Type	Male Thread	Thread Type	Material
8.1	22.052	1/4 Inch Tube Fittings	Straight Compression	1/4 - 18	NPT	Brass
8.2	22.053		Elbow Compression	1/4 - 18	NPT	Brass



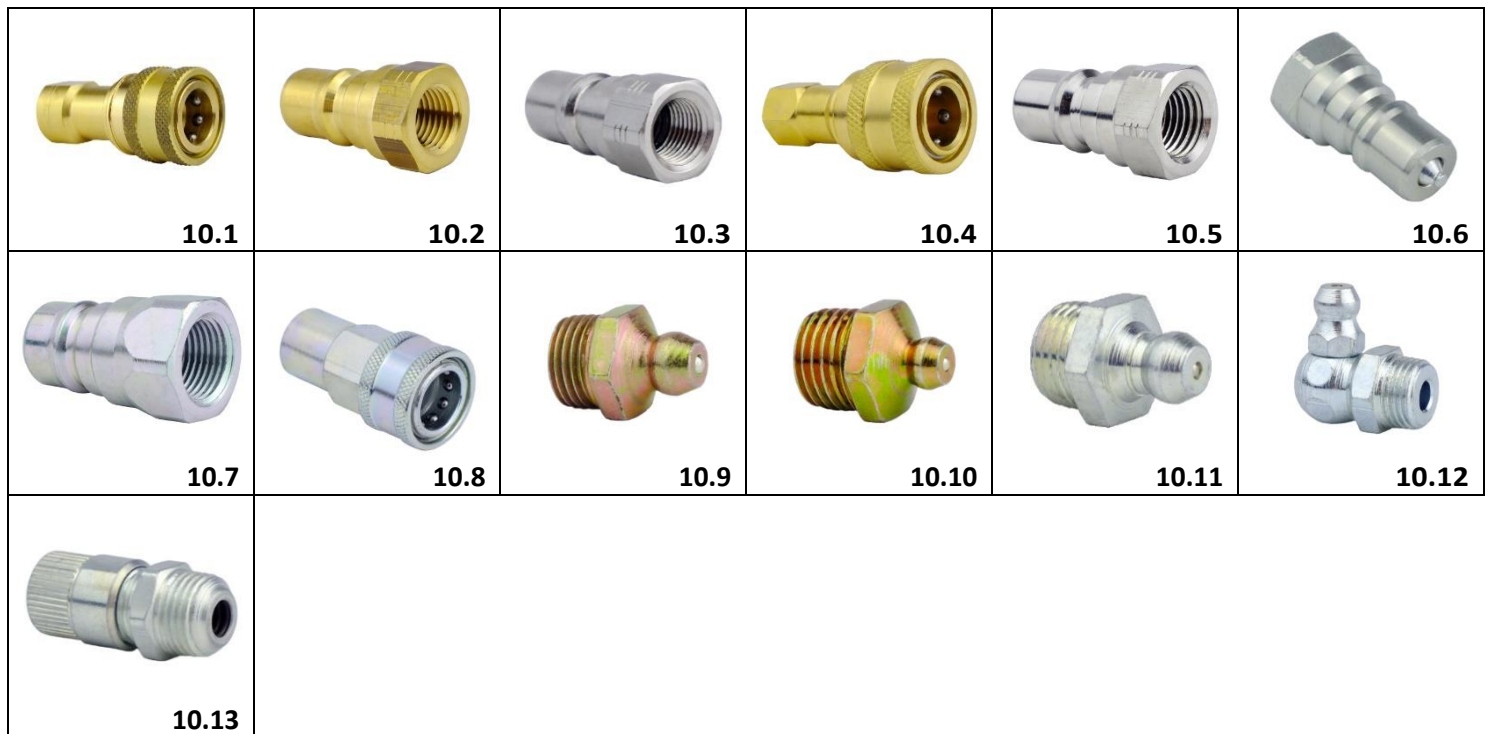
9 MAIN LINE FITTINGS: 5/16 Inch

I.D.	Part#	Description	Fitting Type	Male Thread	Thread Type	Material
9.1	21.105	5/16 Inch Tube & Line Fittings	Branch Tee Compression	1/4 - 18	NPT	Steel
9.2	21.226		Tube Insert			Steel
9.3	21.229		Elbow Compression	1/4 - 18	NPT	Steel
9.4	21.230		Straight Compression	1/4 - 18	NPT	Steel



10 ZERK AND QUICK DISCONNECT FITTINGS

I.D.	Part#	Fitting Type	Male Thread	Thread Type	Female Thread	Thread Type	Material
10.1	21.024	Quick Disconnect			1/4-18	NPT	Brass
10.2	21.025	Quick Disconnect			1/4-18	NPT	Brass
10.3	21.075	Quick Disconnect			1/8-27	NPT	Stainless Steel
10.4	21.076	Quick Disconnect			1/8-27	NPT	Brass
10.5	21.115	Quick Disconnect			1/4-18	NPT	Steel
10.6	21.116	Quick Disconnect			1/4-18	NPT	Steel
10.7	21.280	Quick Disconnect			3/8-18	NPT	Steel
10.8	21.284	Quick Disconnect			3/8-18	NPT	Steel
10.9	21.231	Zerk	1/8-27	NPT			Steel
10.10	21.234	Zerk	1/4-18	NPT			Steel
10.11	21.252	Zerk	1/8-28	BSPT			Steel
10.12	21.253	Zerk – 90° Elbow	1/8-28	BSPT			Steel
10.13	21.258	Zerk – with Cap	1/8-27	NPT			Steel



11 FILL AND FILTER ADAPTERS

I.D.	Part#	Fitting Type	Male Thread	Thread Type	Female Thread	Thread Type	Material
11.1	10.065	Filter Housing	3/8-18 1/4-19	NPT NPT	1/4-18 M8X1	NPT Metric	Steel
11.2	10.066	Filter Holder Insert	M8X1	Metric			Brass
11.3	10.559	Filler Adapter	3/8-18 M16X1.5	NPT Metric			Brass
11.4	10.560	Screen Adapter	M16X1.5	Metric	M16X1.5	Metric	Brass
11.5	10.589	Filler Adapter	M16X1.5	Metric	1/4-19	BSPT	Brass



Fill Options Explained

Modular Pumps can be fitted with a zerk fitting filler or a quick disconnect fitting filler. The adapters used are shown in the cross sections in Figure 1 and Figure 2. A generic filter assembly can be added anywhere on a pump as a reservoir inlet or pump outlet filter as shown in Figure 3.

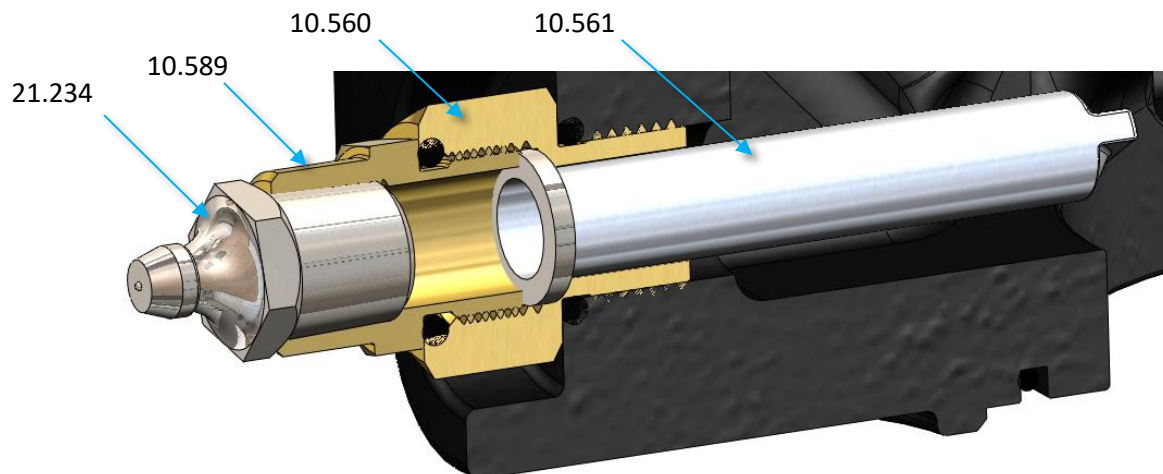


Figure 1 Zerk Filler Option with 10.560 and 10.589

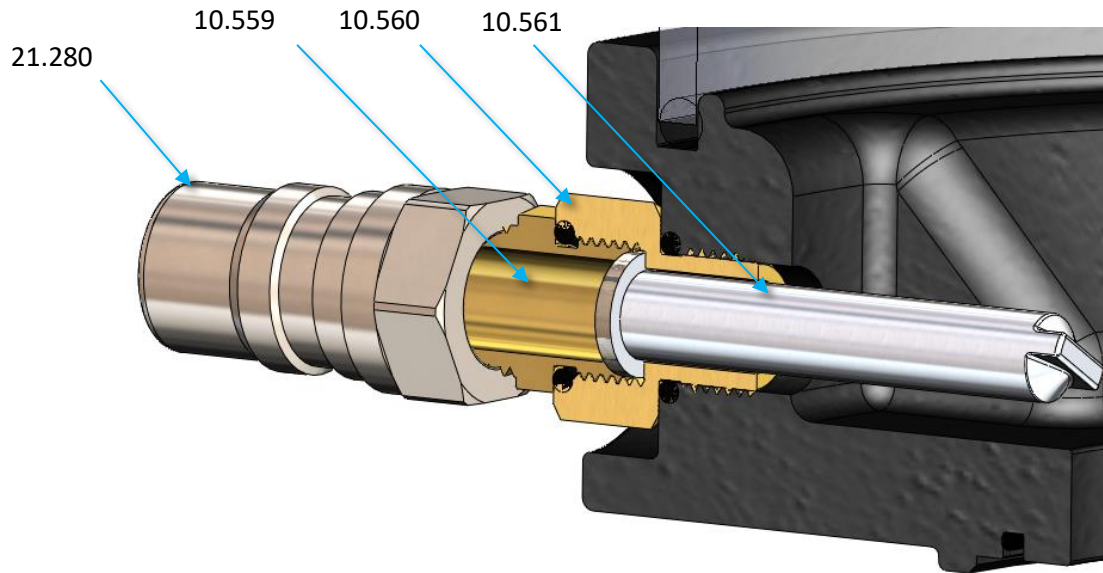


Figure 2 Quick Disconnect Filler Option with 10.559 and 10.560

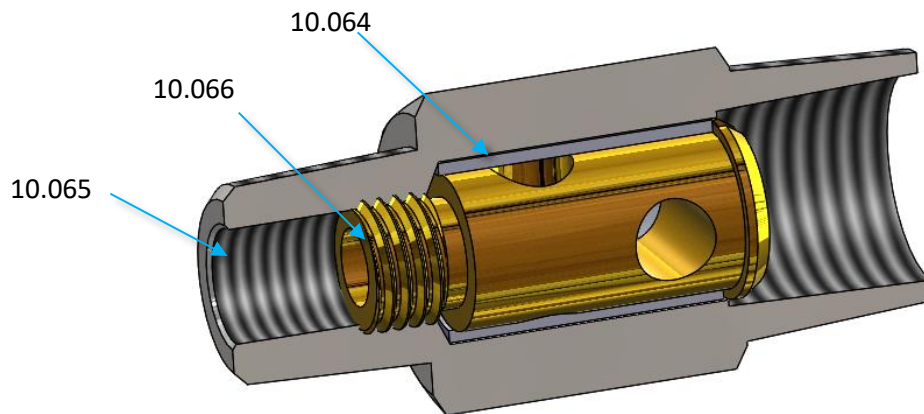


Figure 3 Filter Assembly

12 AUTOMATED LUBRICATION SYSTEM: REDUCER FITTINGS

I.D.	Part#	Fitting Type	Male Thread	Thread Type	Male Thread	Female Thread	Female Thread	Thread Type	Material
12.1	10.073	Adapter	M14-1.50	Metric		M8 - 1		Metric	Brass
12.2	20.055	Adapter	M10-1.50	Metric		1/8 - 28	BSPP		Brass
12.3	21.017	Adapter	1/4 - 18	NPT	3/8 -18			NPT	Brass
12.4	21.063	Reducer Coupling	1/4 - 18	NPT			1/8 - 27	NPT	Brass
12.5	21.064	Adapter	1/4 - 18	NPT	1/8 - 27			NPT	Brass
12.6	21.071	Adapter	1/8 - 27	NPT			1/4 - 18	NPT	Brass
12.7	21.072	Reducer Coupling	1/4 - 18	NPT			1/8 - 27	NPT	Steel
12.8	21.073	Reducer Coupling	1/2 - 14	NPT			1/4 - 18	NPT	Brass
12.9	21.074	Reducer Coupling	3/4 - 14	NPT			1/2 - 14	NPT	Brass
12.10	21.078		3/8 - 18	NPT			1/8 - 27	NPT	Brass
12.11	21.080	Reducer Coupling	3/8 - 18	NPT			1/4 - 18	NPT	Brass
12.12	21.085	Reducer Coupling	1/4 - 18	NPT			1/8 - 28	BSPT	Steel
12.13	21.092	Reducer Coupling				3/8 -18	1/4 - 18	NPT	Brass
12.14	21.235	Reducer Coupling	3/4 - 18	NPT			1/4 - 18	NPT	Brass
12.15	21.236	Reducer Coupling	1 - 11.5	NPT			1/4 - 18	NPT	Brass



13 STANDARD FITTINGS

I.D.	Part#	Fitting Type	Male Thread	Thread Type	Female Thread	Thread Type	Material
13.1	20.045	Female Tee			1/8 - 27	NPT	Brass
13.2	21.079	Female Tee			1/4 - 18	NPT	Brass
13.3	21.228	45° Street Elbow	1/8 - 27	NPT	1/8 - 27	NPT	Brass
13.4	21.040	45° Street Elbow	1/4 - 18	NPT	1/4 - 18	NPT	Brass
13.5	21.084	Hex Coupler			1/8 - 27	NPT	Brass
13.6	21.050	Hex Coupler			1/4 - 18	NPT	Brass
13.7	21.087	Street Tee	1/8 - 27	NPT	1/8 - 27	NPT	Brass
13.8	21.062	Street Tee	1/4 - 18	NPT	1/4 - 18	NPT	Brass
13.9	21.099	Branch Tee	1/4 - 18	NPT	1/4 - 18	NPT	Brass
13.10	21.089	90° Street Elbow	1/4 - 18	NPT	1/4 - 18	NPT	Brass
13.11	21.110	Close Nipple	1/8 - 27	NPT			Brass
13.12	21.077	2½ - Nipple	1/8 - 27	NPT			Brass
13.13	21.067	Hex Nipple	1/4 - 18	NPT			Brass
13.14	21.098	Close Nipple	1/4 - 18	NPT			Brass
13.15	21.083	90° Female Elbow			1/8 - 27	NPT	Brass
13.16	35.060	90° Female Elbow			M8 - 1.25	Metric	Brass
13.17	21.096	90° Female Elbow			1/4 - 18	NPT	Brass
13.18	21.109	90° Male Elbow	1/4 - 18	NPT	1/4 - 18	NPT	Brass
13.19	21.201	Cross	1/4 - 18	NPT	1/4 - 18	NPT	Brass
13.20	21.046	Strait Hose Barb	1/4 - 18	NPT			Brass
13.21	21.233	90° Street Elbow	1/8 - 27	NPT	1/8 - 27	NPT	Steel
13.22	21.218	90° Street Elbow	1/4 - 18	NPT	1/4 - 18	NPT	Steel
13.23	21.108	Branch Tee	1/4 - 18	NPT	1/4 - 18	NPT	Steel
13.24	21.102	Hex Nipple	1/4 - 18	NPT			Steel
13.25	21.050	Hex Coupler			1/4 - 18	NPT	Steel
13.26	21.087	Female Tee			1/4 - 18	NPT	Steel
13.27	21.103	Swivel Coupler	1/4 - 18	NPT	1/4 - 18	NPT	Steel



 13.7	 13.8	 13.9	 13.10	 13.11	 13.12
 13.13	 13.14	 13.15	 13.16	 13.17	 13.18
 13.19	 13.20	 13.21	 13.22	 13.23	 13.24
 13.25	 13.26	 13.27			

14 CERTIFIED AIR FITTINGS:DOT - (Department Of Transport)

I.D.	Part#	Fitting Type	Male Thread	Female Thread	Thread Type	Material
14.1	22.002	Straight Compression 1/4 DOT	1/8 - 27		NPT	Brass
14.2	22.016	Straight Compression 1/4 DOT	1/4 - 18		NPT	Brass
14.3	22.035	Straight Compression 1/4 DOT		1/4 - 18	NPT	Brass
14.4	22.001	90° Elbow Compression 1/4 DOT	1/8 - 27		NPT	Brass
14.5	22.017	90° Elbow Compression 1/4 DOT	1/4 - 18		NPT	Brass
14.6	22.020	90° Elbow Compression 3/8 DOT	3/8 - 18		NPT	Brass
14.7	22.018	Branch Tee Compression 3/8 DOT	1/4 - 18		NPT	Brass
14.8	22.041	Branch Tee Compression 3/8 DOT	1/4 - 18		NPT	Brass
14.9	22.019	Branch Tee Compression 1/2 DOT	1/4 - 18		NPT	Brass
14.10	22.049	Union Compression 1/4 DOT				Brass
14.11	22.048	Tee Union Compression 1/4 DOT				Brass
14.12	22.033	Tee Union Compression 3/8 DOT				Brass



15 HYDRAULIC FITTINGS:JIC - (Joint Industry Council)

I.D.	Part#	Fitting Type	Male Thread	Female Thread	Thread Type	Material
15.1	21.051	37° #4 - Straight Male	1/8 - 28		BSPP	Steel
15.2	21.009	37° #4 - Straight Male	1/4 - 18		NPT	Steel
15.3	21.010	37° #4 - Straight Male	1/4 - 18		NPT	Steel
15.4	21.214	37° #6 - Straight Male	1/4 - 18		NPT	Steel
15.5	21.049	37° #4 - Straight Female		1/4 - 18	NPT	Steel
15.6	21.052	37° #4 - Straight Female		1/8 - 27	NPT	Steel
15.7	21.112	37° #4 - 45° Elbow Male	1/4 - 18		NPT	Steel
15.8	21.111	37° #4 - 45° Elbow Male	1/4 - 18		NPT	Steel
15.9	21.011	37° #4 - 90° Elbow Male	1/8 - 27		NPT	Steel
15.10	21.012	37° #4 - 90° Elbow Male	1/4 - 18		NPT	Steel
15.11	21.215	37° #6 - 90° Elbow Male	1/4 - 18		NPT	Steel
15.12	21.061	37° #4 - Straight Union				Steel
15.13	21.225	37° #6 - Straight Union				Steel
15.14	21.094	37° #4 - Elbow Union				Steel
15.15	21.056	37° #4 - Tee Union				Steel
15.16	21.224	37° #6 - Tee Union				Steel
15.17	21.191	37° #4 – Straight Adapter				
15.18	21.192	37° #4 – Straight Adapter				
15.19	21.295	37° #4 – Straight Coupling Female				
15.20	21.137	37° #4 – Swivel Elbow				Steel
15.21	21.138	37° #4 – Gauge Port Adapter		1/4 - 18	NPT	Steel
15.22	21.139	37° #6 – Gauge Port Adapter		1/4 - 18	NPT	Steel
15.23	21.140	37° #8 – Gauge Port Adapter		1/4 - 18	NPT	Steel
15.24	21.141	37° #10 – Gauge Port Adapter		1/4 - 18	NPT	Steel
15.25	21.142	37° #12 – Gauge Port Adapter		1/4 - 18	NPT	Steel



 15.7	 15.8	 15.9	 15.10	 15.11	 15.12
 15.13	 15.14	 15.15	 15.16	 15.17	 15.18
 15.19	 15.20	 15.21	 15.22	 15.23	 15.24
 15.25					

16 AUTOMATED LUBRICATION SYSTEM: PLUGS

I.D.	Part#	Fitting Type	Tool	Male Thread	Thread Type	Material
16.1	10.018	2 Kg Mini-Modular - Low Level Plug	17mm Hex	M12 X 1.25	Metric	Brass
16.2	10.032	Pneumatic Pump - Non-Return Valve Port Plug	19mm Hex	M14 X 1.25	Metric	Brass
16.3	10.079	Pneumatic Pump - Pressure Gauge Port Plug	17mm Hex	1/4 - 28	PSPT	Brass
16.4	10.098	Pneumatic EP2 - Non-Return Valve Special Port Plug	19mm Hex	M15 X 1	Metric	Brass
16.5	10.302	Pneumatic Pump - Low Level Port Plug	19mm Hex	M14 X 1.25	Metric	Brass
16.6	11.031	Mk1, Mk2 & LCI First Generation Spyder Pump Element Plug	13mm Hex	M12 X 1	Metric	Brass
16.7	11.032	Modular Spyder MLP Element Plug	16mm Hex	M12 X 1.25	Metric	Plastic
16.8	11.033	Modular Progressive Element Plug	22mm Hex	M16 X 1.5	Metric	Stainless Steel
16.9	11.110	EP0 Manifold Injector Plug	5/8th Hex	1/2 - 24	UNS	Brass
16.10	20.253	Progressive Distributor Block Planking Plug	11mm Hex	M10 X 1	Metric	Stainless Steel
16.11	21.006	EP0 Manifold End Plug	17mm Hex	1/4 -28	BSPP	Brass
16.12	21.053	Pipe Plug	9/16th Hex	1/4 - 18	NPT	Steel
16.13	21.066	Pipe Plug	7/16th Hex	1/8 - 27	NPT	Brass
16.14	21.070	Blanking Plug		1/4 - 18	NPT	Hardened Brass
16.15	35.063	Pipe Plug	M8 - 1.00	M8 X 1	Metric	Brass
16.16	41.300	Pipe Plug	5mm Hex	1/8-28	BSPT	Brass
16.17	41.301	Pipe Plug	6mm Hex	1/4-19	BSPT	Steel
16.18	41.302	Pipe Plug	10mm Hex	3/8-19	BSPT	Steel
16.19	41.317	Pipe Plug	4mm Hex	1/16-28	BSPT	Steel



 16.7	 16.8	 16.9	 16.10	 16.11	 16.12
 16.13	 16.14	 16.15	 16.16	 16.17	 16.18
 16.19					

17 REUSABLE INSERTS & SLEEVE FITTINGS

I.D.	Part#	Fitting Type	Use	Material
17.1	21.199	6mm Long Straight Stud	30.200 - Korilla - 8.6 x 4.0 Unfilled 30.250 - Korilla - 8.6 x 4.0 Filled	Steel
17.2	20.216	6mm Short Straight Stud		Steel
17.3	20.217	6mm 45° Elbow Stud		Steel
17.4	20.198	6mm 90° Elbow Stud		Steel
17.5	20.215	6mm Reusable Stud Sleeve		Steel
17.6	20.229	8mm Straight Stud	30.204 - Large Korilla - 11.3 x 6.3 Unfilled	Steel
17.7	20.228	8mm Reusable Stud Sleeve	30.254 - Large Korilla - 11.3 x 6.3 Filled	Steel



18 AUTOMATED LUBRICATION SYSTEM: INSERTS, CLAMPS & TOOLS

I.D.	Part#	Fitting Type	Tool Require	Use	Material
18.1	20.236	5mm - Straight Stud	18.16	30.200 - Korilla - 8.6 x 4.0 Unfilled 30.250 - Korilla - 8.6 x 4.0 Filled	Steel
18.2	20.223	6mm - Straight Stud			Steel
18.3	20.224	6mm - 45° Elbow Stud			Steel
18.4	20.225	6mm - 90° Elbow Stud			Steel
18.5	20.237	6mm - Splicer ITR			Steel
18.6	20.227	8mm - Straight Stud		30.204 - Korilla - 11.3 x 6.3 Unfilled	Steel
18.7	20.238	8mm - Splicer TNR			Steel
18.8	21.247	8mm - 37° #4 JIC Straight Female			Steel
18.9	21.240	9.5mm - 37° #6 JIC Straight Female		SAE 100R8-06 Synflex 3/8 Unfilled	Steel
18.10	20.239	8.7mm - SS Clamp		S1 > S8	Stainless
18.11	20.233	11.9mm - SS Clamp		S9 > S11	Stainless
18.12	20.248	17.0mm - SS Clamp		S12	Stainless
18.13	20.245	19.8mm - SS Clamp			Stainless
18.14	20.252	Stud 1/8 NPT Male		30.200 - Korilla - 8.6 x 4.0 Unfilled 30.250 - Korilla - 8.6 x 4.0 Filled	Steel
18.15	20.254	Stud 1/8 NPT Female			Steel
18.16	70.114	Hand Crimp Tool - SS Step Clamp			
18.17	71.033	Tube Cutters			
18.18	70.118	Fitting Kit			



