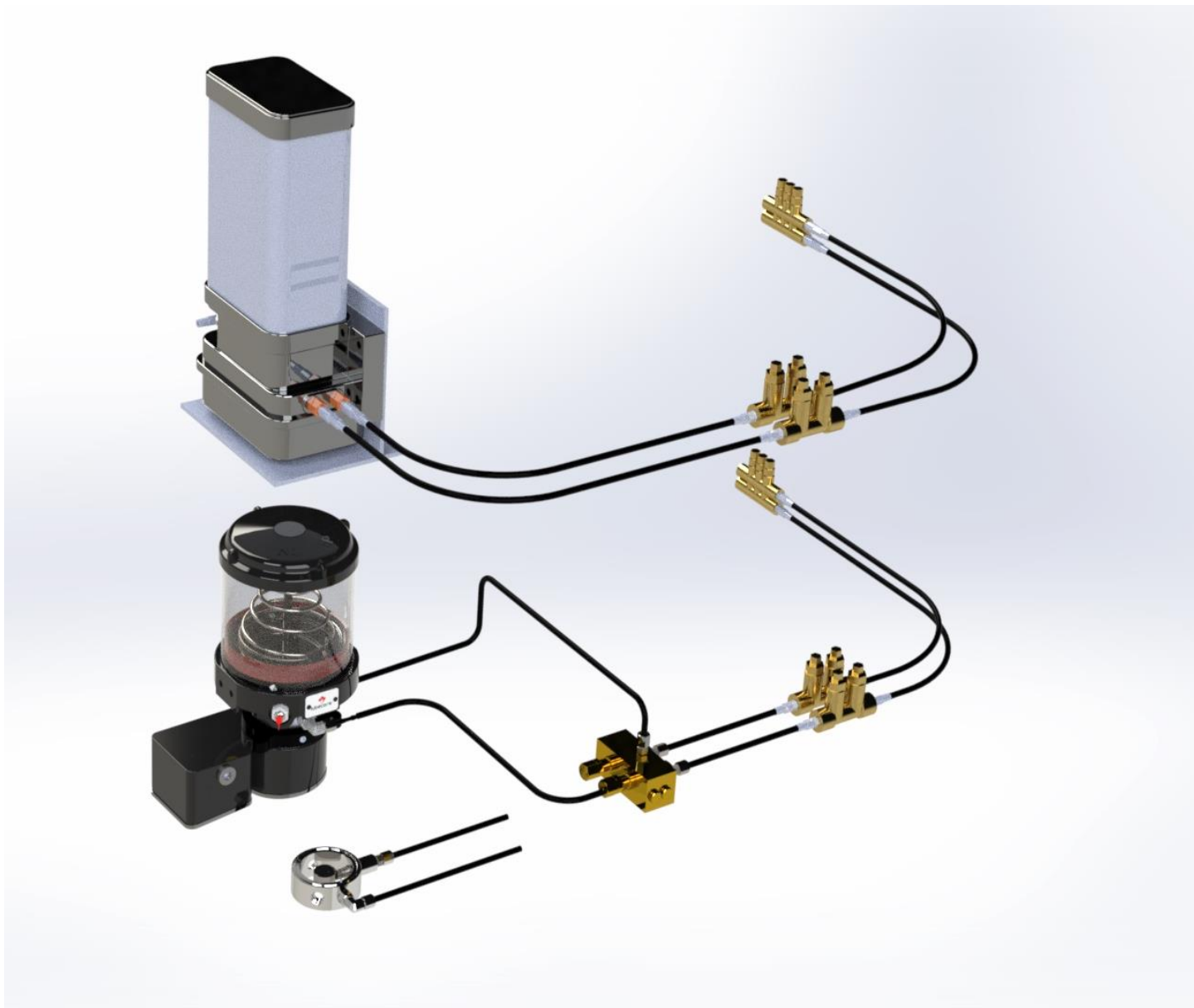




## Lubecore Product Announcement

### Servicing Groeneveld Twin Systems

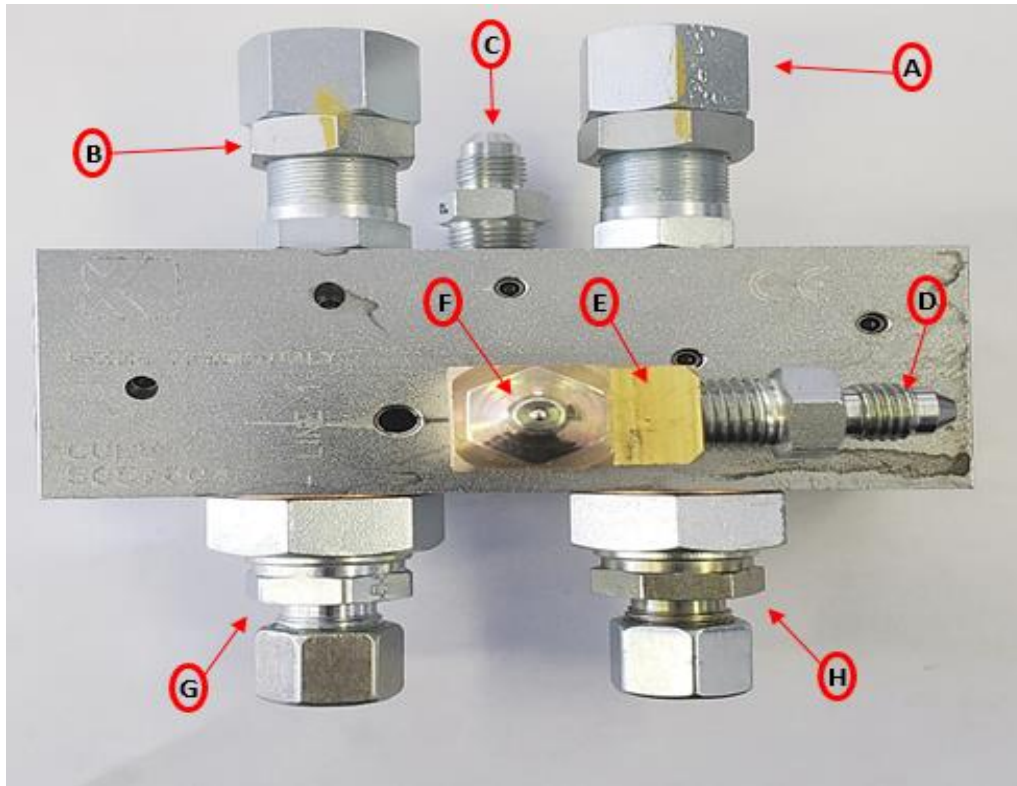


Lubecore has the parts to replace a Groeneveld pump with a Lubecore Modular Pump making the process quick and easy. This provides the customer with a cost-friendly option that utilizes the existing lines and Injectors in the G.V System.



## Lubecore Product Announcement

### Duel Line Reversing Valve



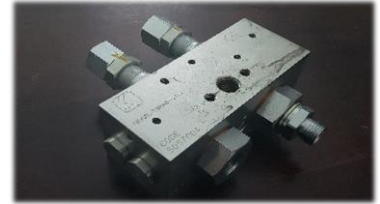
#### Connections Explained

Connection	Description
A	Indicator pins move in and out as the valve switches between mainline 1 and 2 (G and H)
B	Pressure adjustment locknut, you can set the pressure at which the switch takes place (100 Bar is recommended, and is the factory setting.)
C – 21.010	Return back to reservoir (one of the available ports in the element ring)
D – 21.010	Inlet pressure line from Lubecore pump or any pump
E – 21.062	Street T ¼ NPT
F – 21.234	Grease zerk 21.234 allows for manual lubrication. Greasing the zerk manually or with a power greaser will continuously grease, like a progressive system.
G	Output to mainline 1, Groeneveld Twin
H	Output to mainline 2, Groeneveld Twin



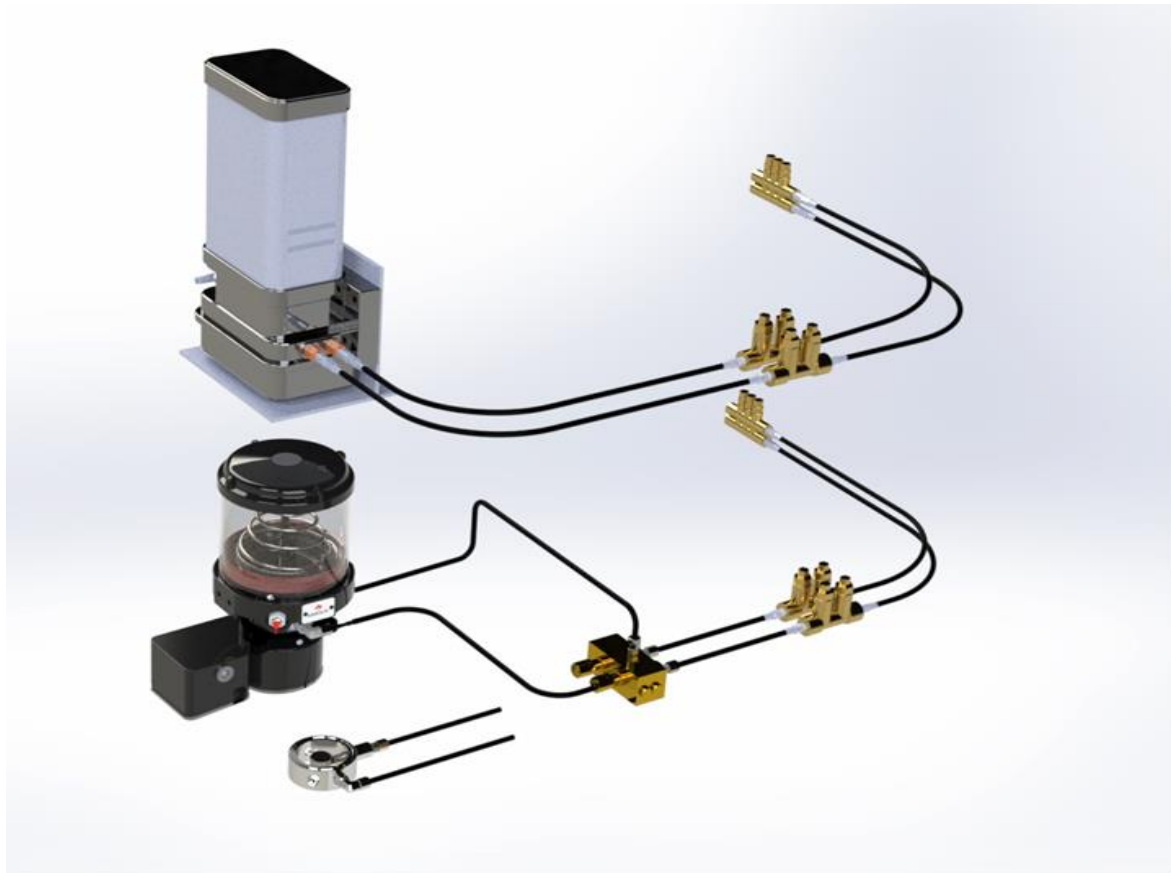
## Lubecore Product Announcement

### Direct Connection from Twin Pump Replacement Valve to GV Mainline



### Required Parts to Convert GV outlet to #4 JIC – Included in **Kit # 54.871**

Name	Quantity
3/8 BSPP 10L Metric Compression	2
3/8 Bonded Washer	2





## Lubecore Product Announcement

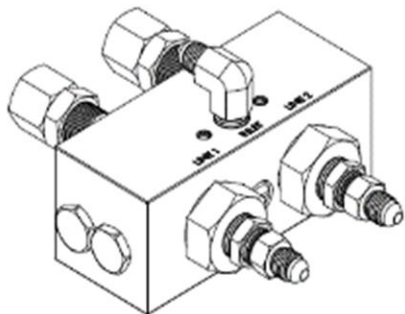
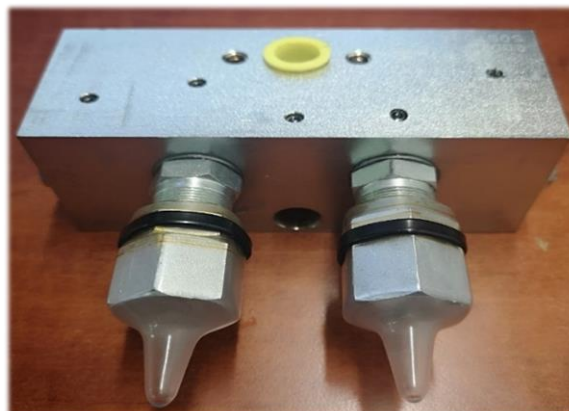
### G.V Conversation Kit Installation Tips

- Mount the valve with the **indicator pins hanging down** to ensure that no dirt and water interferes with the indicator pins
- Spray rubber caps (protective caps from low-level switch) with lubricant, install over the indicator pins and ensure they are well lubricated. See image bellow for details
- Zip tie caps to ensure they are secure
- Check all connections making sure they are properly secured
- Examine the existing system lining and make any necessary changes or repairs

Part #10.942



Part # 10.814



**lubecore**™

**NEXT GENERATION AUTOMATED LUBRICATION**



## Lubecore Product Announcement

### Lubecore Pricing and Kit Breakdown

**G.V Twin Conversion MSRP: \$3,000CAD**

#### 54.565 - KIT Contents - Adapter Fittings GV to Lubecore Mainlines

Name	Lubecore Part #	Quantity
Ferrule 10mm	21.273	2
Tube Nut 10mm	21.274	2
Male JIC #4 X Metric 10mm stand pipe	21.275	2

#### 54.872 - KIT Contents - Twin Pump Replacement Complete - REV 4

Name	Lubecore Part #	Quantity
Pump/Modular/24v/6kg/1pt/Timer/EP2 - Twin Pump Replacement	57.575	1
KIT, Dual Line Reversing Valve (54.871)	54.871	1
6kg Reservoir Support - Rear Mount, Modular	40.246	1

#### 54.871- KIT Contents - Dual Line Reversing Valve

Name	Lubecore Part #	Quantity
Dual Line Reversing Valve	10.814	1
Reducer 3/8 (M) NPT - 1/4 (F) NPT - Brass	21.080	2
Hose Ass'ly 10' x 1/4" ID Korilla FJICSW – Filled	54.335	2
Straight # 4 (M) JIC X 1/4 (M) NPT - Steel	21.010	3
Elbow # 4 JIC (M) X 1/4 (M) NPT - Steel	21.012	1
Coupler Hydraulic QDC 1/8 X 1/8 (F) NPT – Brass	21.076	1
Straight # 4 (M) JIC X 1/8 (M) NPT - Steel	21.009	2
Twin Reversing Valve Mounting Bracket	40.272	1
Socket Head Cap Screws M6 x 1 x 20mm	41.165	2
Lock Washer 6mm (Progressive)	41.029	2
Washer Bonded 3/8	21.276	2
Metric Compression 3/8 BSPP 10L	21.277	2