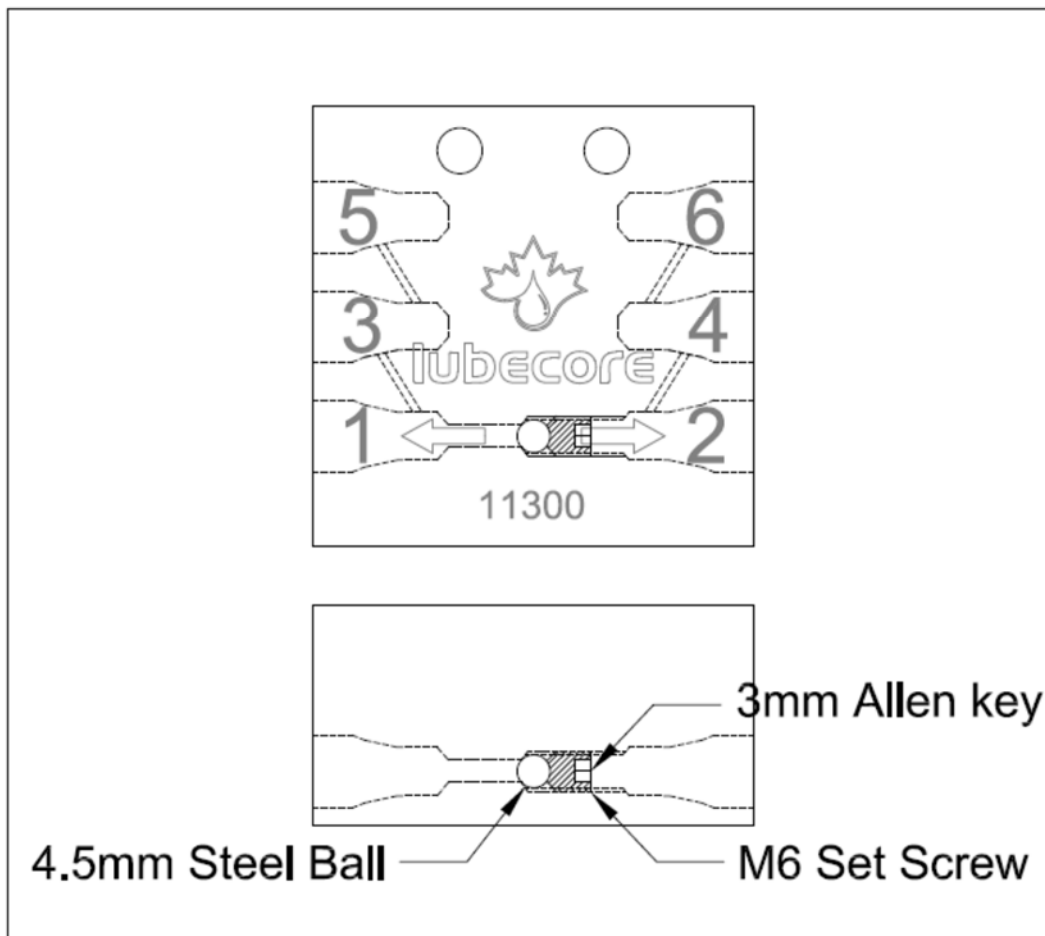




Lubecore Communication

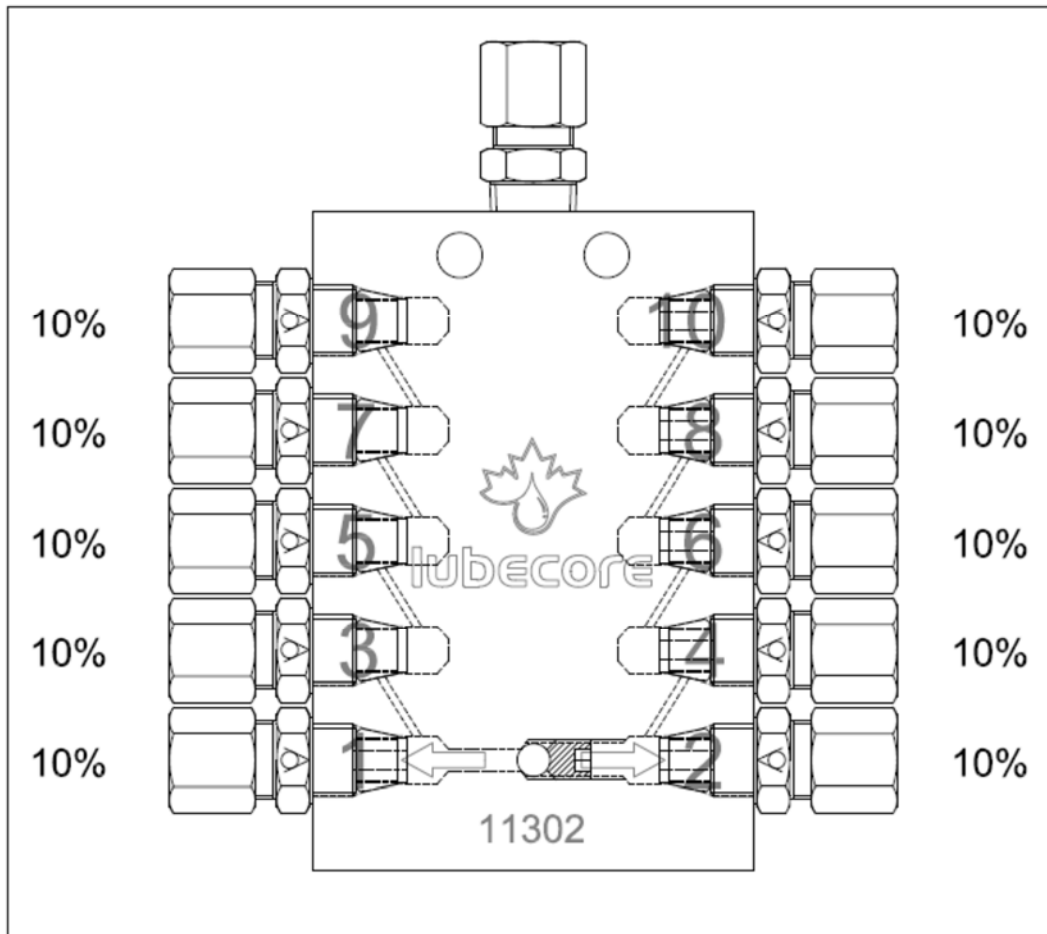
Subject: Progressive Divider Valves – Outlets 1 & 2

The following drawing shows outlets 1 & 2 with common channel blocked by steel ball and set screw. Using a 3mm allen key, remove set screw and ball from **Outlet 2**. Install outlet plug 20.205 into one of the outlet ports. Grease from both will now go to remaining outlet. This affects all divider valves with Lubecore logo as shown. Part numbers 11.300, 11.301, 11.302, 11.303 and 11.297 with logo.



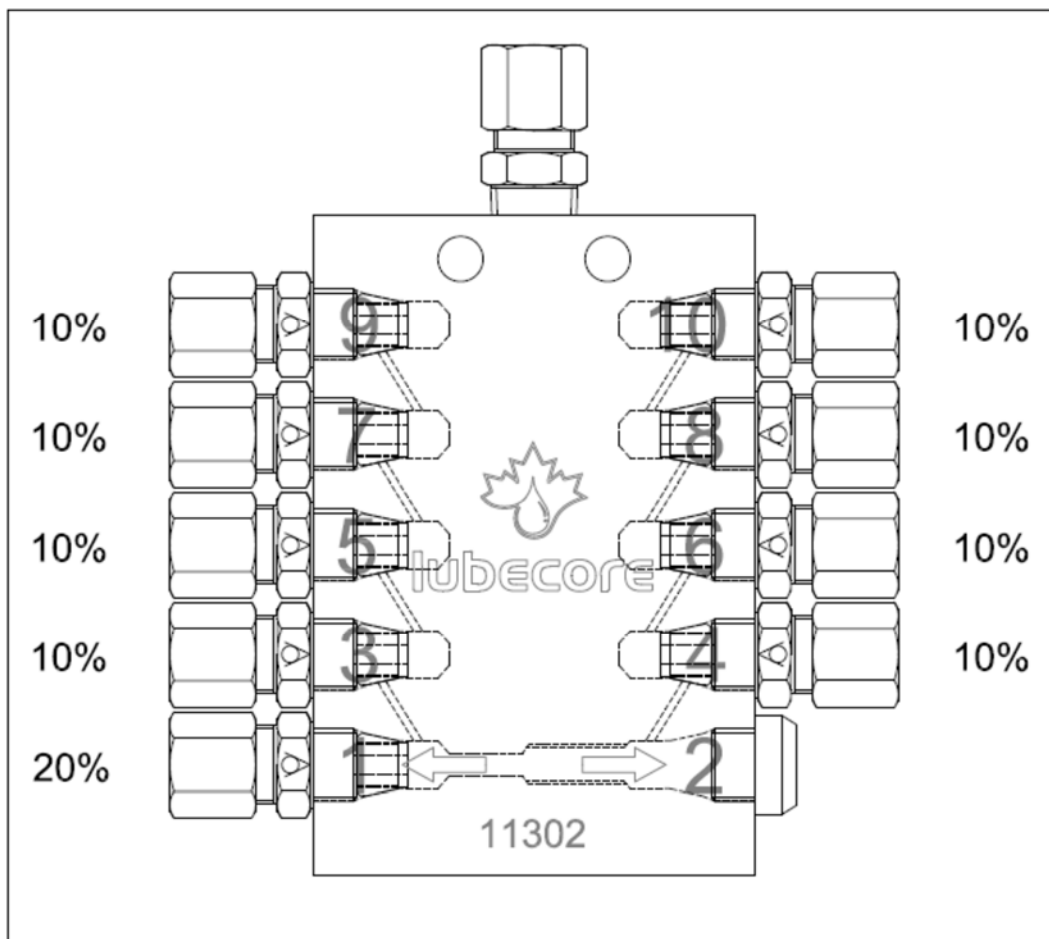


The drawing below shows equal division with all outlets used and set screw and ball in place.





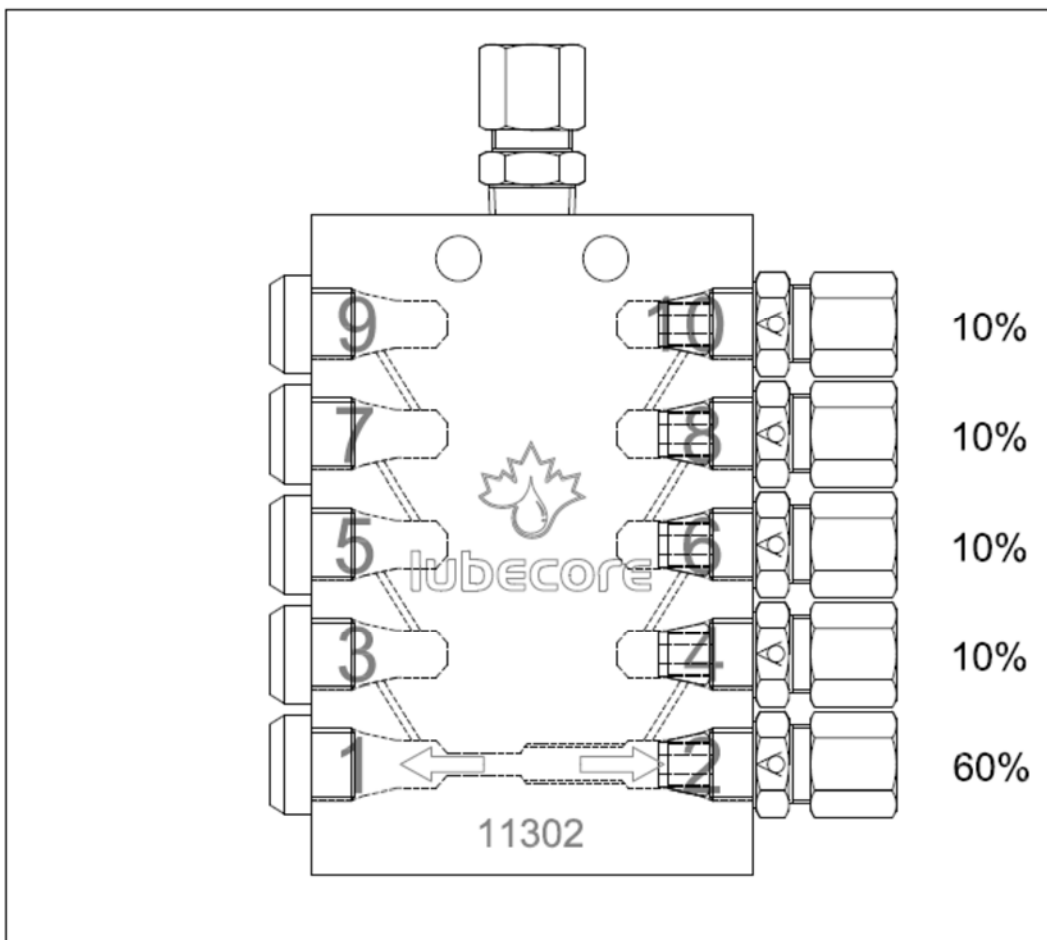
The drawing below shows equal division outlets 3-10. Removing the set screw and ball, and installing an outlet plug 20.205 in outlet 2 directs grease from 1 & 2 to outlet 1 - 20%





The drawing below shows grease from outlets 1, 2, 3, 5, 7 & 9 directed to outlet 2.

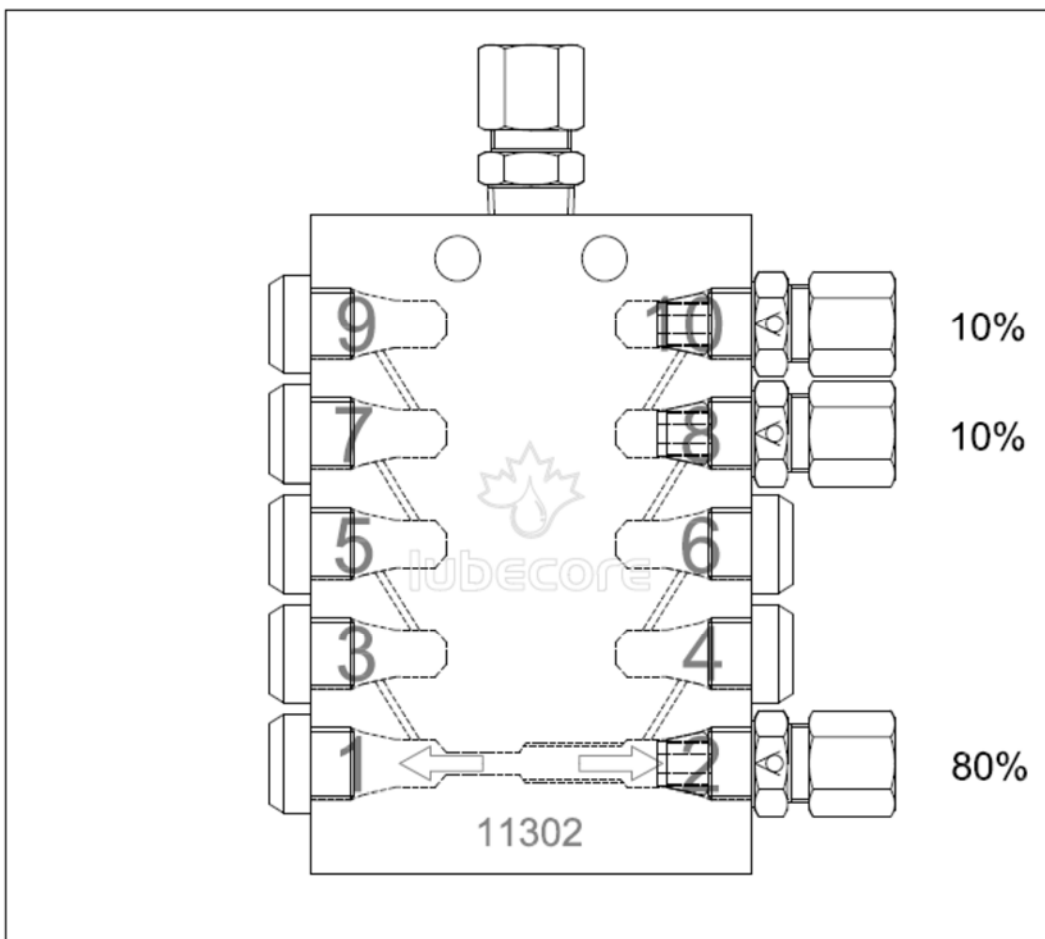
Outlets 4, 6, 8 & 10 each deliver 10% individually.





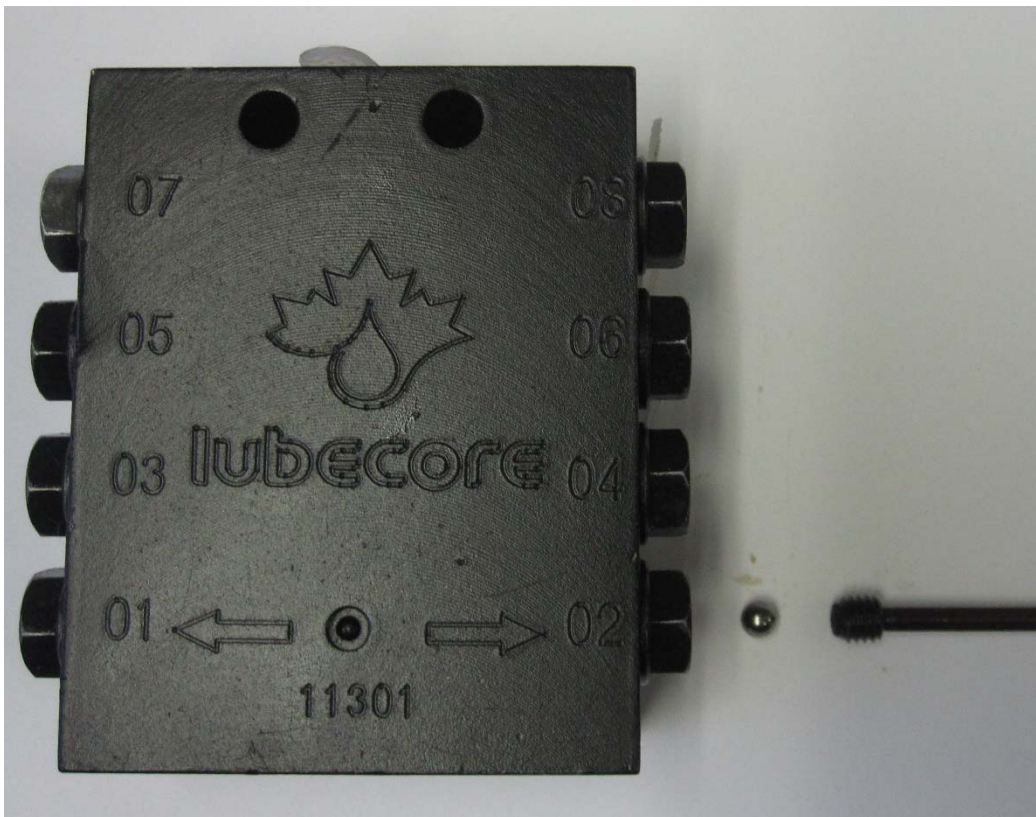
The drawing below shows grease from outlets 1, 2, 3, 4, 5, 6, 7 & 9 directed to outlet 2.

Outlets 8 & 10 each deliver 10% individually.





Actual ball and set screw removed from outlet 2.





Previous method of collecting outlet delivery 1 & 2, now used only with dividers without logo.

