



Lubecore Technical Announcement

New LCI Solenoid – 12vdc & Associated Harnesses - Overview

Lubecore International introduces the new LCI Solenoid - offering improved performance, easier installation, at a lower cost compared to the Burkert valve.

Prior to introducing this solenoid, Lubecore included this valve in a 1000 hour salt spray test – to ensure performance in the harshest environments. This test highlighted the robust quality of this valve. The valve is solid state and includes triple-sealed electrical connections for ultimate weather-sealing. Further testing involved cycling the valve over 50,000 times to verify longevity. Again, this valve performed faultlessly from start to finish.

The harness maintains the LED feature for ease of installation and troubleshooting. New harness assembly numbers are listed below with connection instructions to be found on page 6.

Mounting is compact with the inclusion of an adapter bolt – which replaces a pneumatic pump base bolt and allows the solenoid to be mounted neatly under the pump. (See pages 2 & 3 for mounting details)

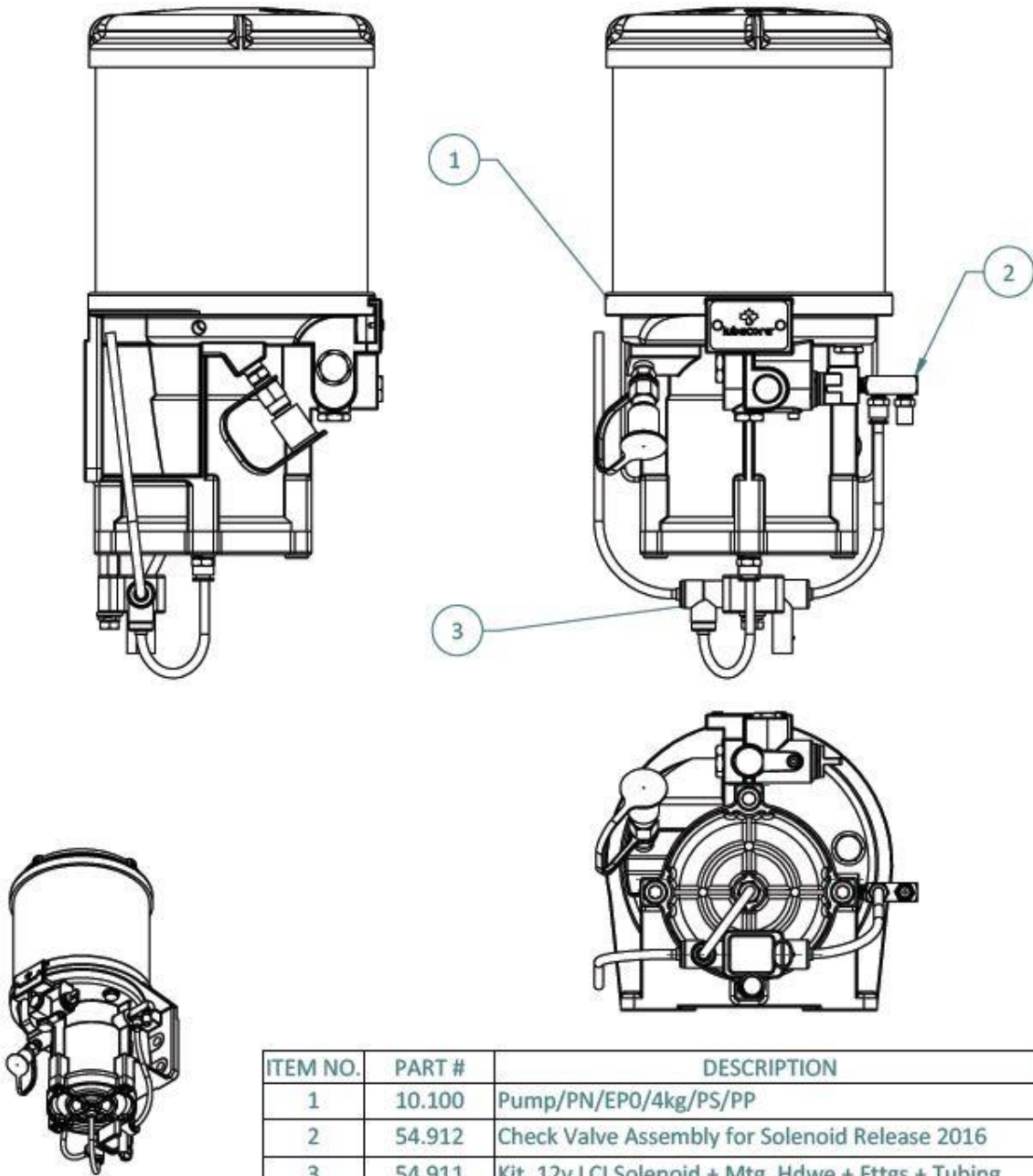
This solenoid is now Lubecore’s primary solenoid, with the existing Burkert style valves available in limited quantities for service of existing units.

New part numbers and what they substitute are listed below:

New Part #	Description	Substitutes Part #
54.911	Kit, 12v LCI Solenoid + Mounting Hardware, Fittings & Tubing	50.188
54.912	Check Valve Assembly for Solenoid Release 2016	50.044
54.900	Power Harness 25’ 12V MKII Timer Pneu. Pump SOL/PS & LL 2016	50.529
54.901	Power Harness 25’ 12V MKII Timer Pneu. Pump SOL 2016	50.527
54.902	Power Harness 25’ 12V MKII Timer Pneu. Pump SOL/PS 2016	50.930
54.903	Power Harness 25’ 12V MKII Timer Pneu. Pump SOL/LL 2016	50.528
13.292	Solenoid Harness – Deutsch LED 12V	13.045

25’ harness lengths are standard. 30’ and 50’ versions are ready, other lengths available upon request.

Pneumatic Pump with Solenoid Assembly



ITEM NO.	PART #	DESCRIPTION	QTY.
1	10.100	Pump/PN/EP0/4kg/PS/PP	1
2	54.912	Check Valve Assembly for Solenoid Release 2016	1
3	54.911	Kit, 12v LCI Solenoid + Mtg. Hdwe + Fttgs + Tubing	1

REVISIONS			
REV	DESCRIPTION	DATE	APVD

UNLESS OTHERWISE SPECIFIED

DO NOT SCALE DRAWING
 INTERPRET DIMENSIONS AND TOLERANCES PER ASME Y14.5M-1994
 DIMENSIONS ARE IN MILLIMETERS
 TOLERANCES APPLY AS SHOWN BELOW
 0 PL DEC = ±1
 1 PL DEC = ±0.75
 2 PL DEC = ±0.25
 3 PL DEC = ±0.13
 ANGLES = ±.5°
 SURFACE ROUGHNESS = .325 µin

THIRD ANGLE PROJECTION



Software MAINTAINED DATA
 CHANGES SHALL BE INCORPORATED
 ELECTRONICALLY BY THE DESIGN ACTIVITY

PROPRIETARY

NO PART OF THIS DOCUMENT MAY BE REPRODUCED, STORED IN A
 RETRIEVAL SYSTEM, OR TRANSMITTED IN ANY FORM, WITHOUT THE
 WRITTEN PERMISSION OF LUBECORE INTERNATIONAL INC.

MATERIAL

FINISH

DRAWN BY
 Bert van Baalen

CHECKED BY

APPROVED

DATE
 10/5/2016

DATE

DATE



lubecore
 WATER TIGHT PROTECTION SOLUTIONS

7065 Twiss Road, R.R. #3
 Campbellville, Ontario
 Canada L0P 1B0
www.lubecore.com

TYPE

SIZE

DRAWING NO

REVISION

A

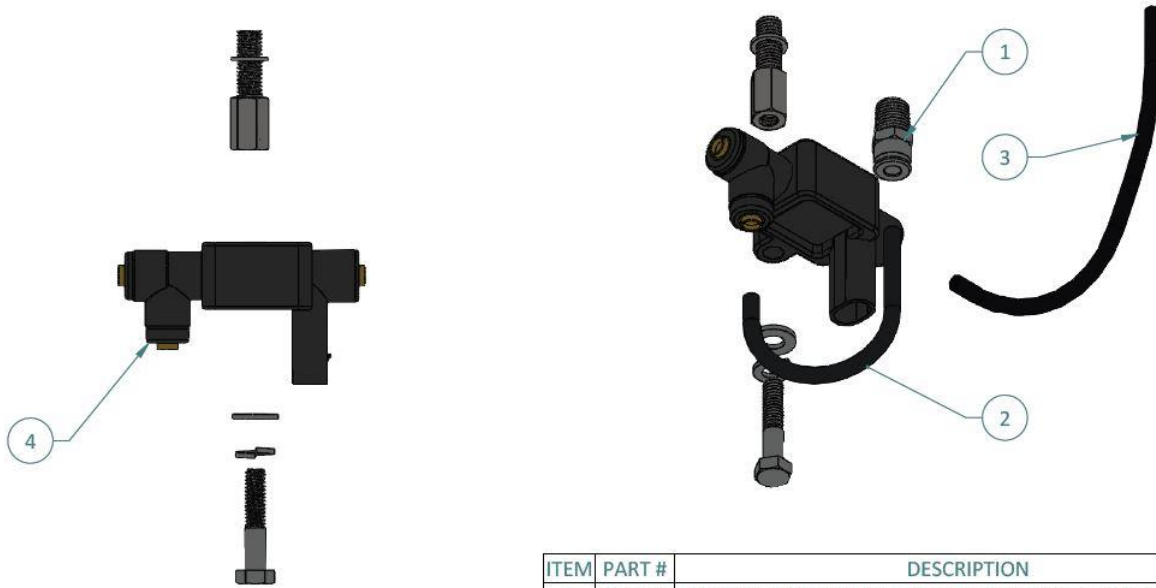
10.100 with 13.270 --

SCALE
 1:8

WEIGHT
 lbs


SHEET 1 OF 1

New LCI Solenoid – Solenoid Kit Complete - 54.911




ITEM	PART #	DESCRIPTION	QTY.
1	22.004	1/4" Tube x 1/4"-18 NPT Male Push to Connect Fitting - DOT	1
2	22.005	Tubing AIR 1/4 DOT - Black x 5"	1
3	22.075	Tubing AIR 1/4 DOT - Black x 7.5"	1
4	54.910	Kit, 12v LCI Solenoid & Mtg. Hdwe	1

REVISIONS			
REV	DESCRIPTION	DATE	APVD

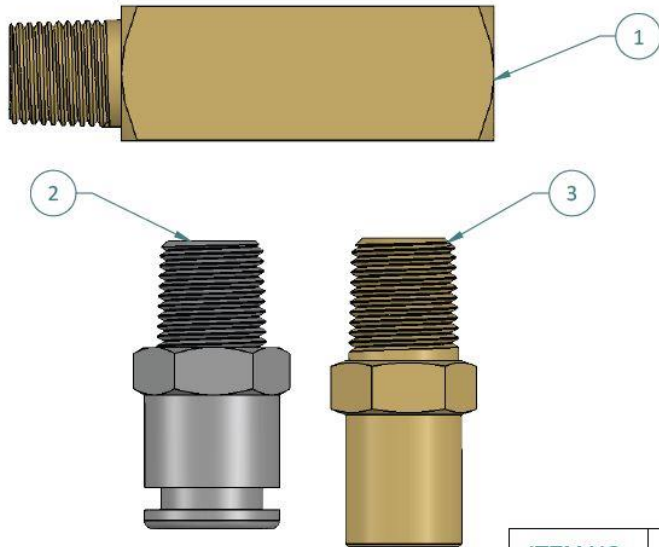
SolidWorks MAINTAINED DATA CHANGES SHALL BE INCORPORATED ELECTRONICALLY BY THE DESIGN ACTIVITY		 7065 Twiss Road, R.R. #3 Campbellville, Ontario Canada L0P 1B0 www.lubecore.com	
PROPRIETARY NO PART OF THIS DOCUMENT MAY BE REPRODUCED, STORED IN A RETRIEVAL SYSTEM, OR TRANSMITTED IN ANY FORM, WITHOUT THE WRITTEN PERMISSION OF LUBECORE INTERNATIONAL INC.			
MATERIAL: FINISH:		TITLE <h2>Kit, 12v LCI Solenoid + Mtg. Hdwe + Fttgs + Tubing</h2>	
DRAWN BY Bert van Baalen	DATE 10/6/2016	SIZE A	
CHECKED BY	DATE	DRAWING NO. 54.911	
APPROVED	DATE	SCALE 1:5	
		MASS lbs	
			REVISION --

UNLESS OTHERWISE SPECIFIED
DO NOT SCALE DRAWING
INTERPRET DIMENSIONS AND TOLERANCES
PER ASME Y14.5M-1994
DIMENSIONS ARE IN MILLIMETERS
TOLERANCES APPLY AS SHOWN BELOW
0 PL DEC = ±1.0
1 PL DEC = ±0.75
2 PL DEC = ±0.50
3 PL DEC = ±0.13
ANGLES = ±1°
SURFACE ROUGHNESS = .125 µm

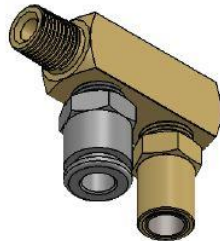
THIRD ANGLE PROJECTION



New Vent Valve Assembly – 54.912



ITEM NO.	PART NUMBER	DESCRIPTION	QTY
1	10.284	Twin Vent Adapter 1/8" - 2016	1
2	22.003	1/4" Tube x 1/8"-27 NPT Male Push to Connect Fitting - DOT	1
3	54.786	Lee Check Valve Assembly - 2016	1



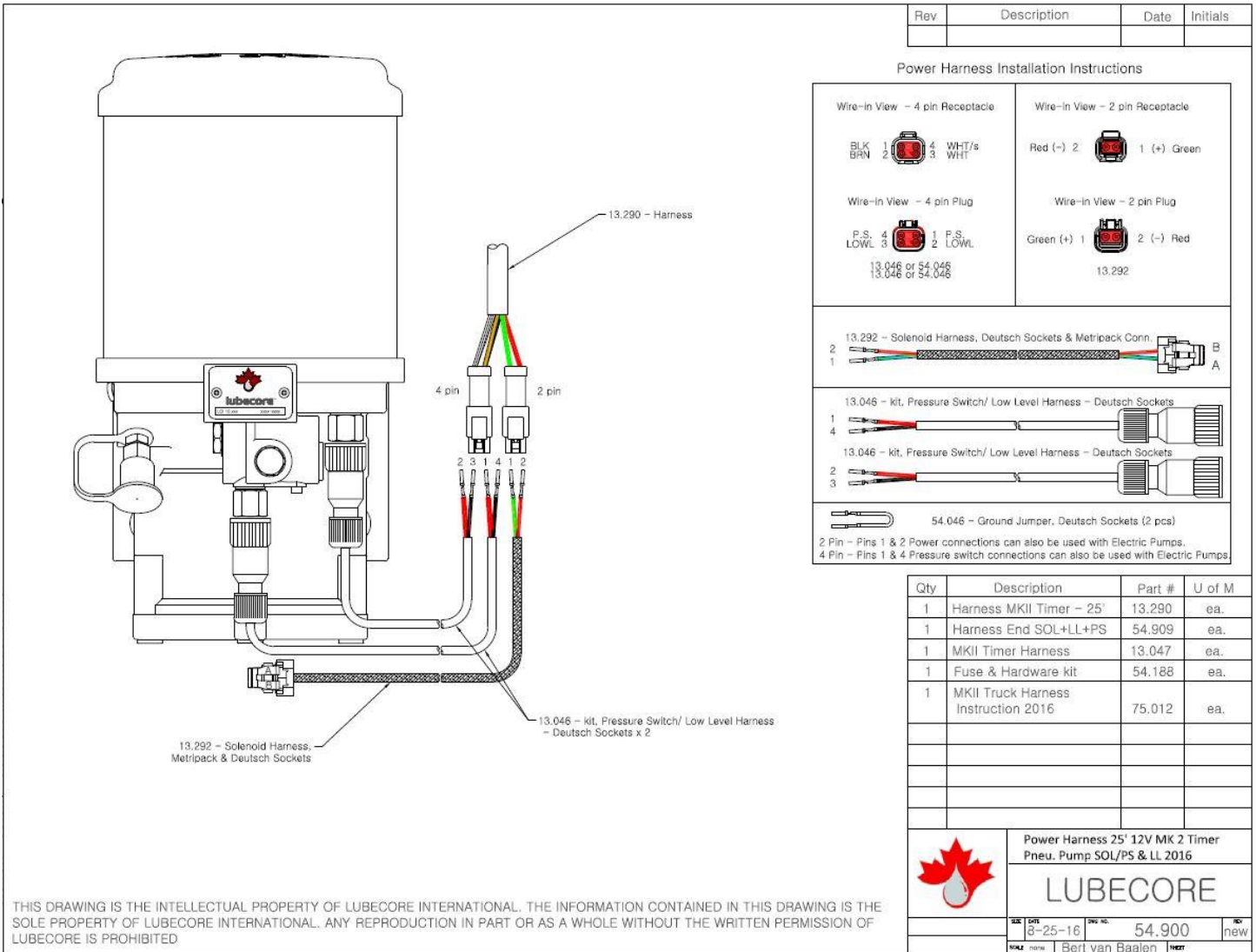
UNLESS OTHERWISE SPECIFIED
DO NOT SCALE DRAWING
INTERPRET DIMENSIONS AND TOLERANCES
PER ASME Y14.5M-2014
DIMENSIONS ARE IN MILLIMETERS
TOLERANCES APPLY AS SHOWN BELOW
0 PL DEC = ±1.0
1 PL DEC = ±0.75
2 PL DEC = ±0.50
3 PL DEC = ±0.13
ANGLES = ±0.5°
SURFACE ROUGHNESS = 125 µin

THIRD ANGLE PROJECTION

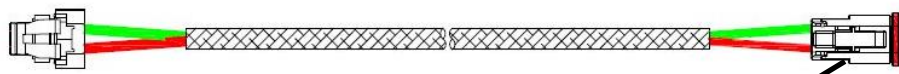


REVISIONS			
REV	DESCRIPTION	DATE	APVD
<p>SolidWorks MAINTAINED DATA CHANGES SHALL BE INCORPORATED ELECTRONICALLY BY THE DESIGN ACTIVITY</p> <p>PROPRIETARY NO PART OF THIS DOCUMENT MAY BE REPRODUCED, STORED IN A RETRIEVAL SYSTEM, OR TRANSMITTED IN ANY FORM, WITHOUT THE WRITTEN PERMISSION OF LUBECORE INTERNATIONAL, INC.</p> <p>MATERIAL:</p> <p>FINISH:</p>			
<p>7065 Twiss Road, R.R. #3 Campbellville, Ontario Canada L0P 1B0 www.lubecore.com</p>		<p>Check Valve Assembly for Solenoid Release 2016</p>	
<p>DRAWN BY Bert van Baalen</p>		<p>DATE 10/4/2016</p>	
<p>CHECKED BY</p>		<p>DATE</p>	
<p>APPROVED</p>		<p>DATE</p>	
<p>SIZE A</p>		<p>DRAWING NO. 54.912</p>	
<p>SCALE 1:1</p>		<p>WEIGHT lbs</p>	
<p>REVISION --</p> <p>SHEET 1 OF 1</p>			

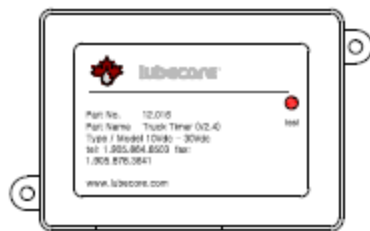
Harness with Deutsch Connector with Built in LED – 54.900



13.292 Power Harness - LED Detail

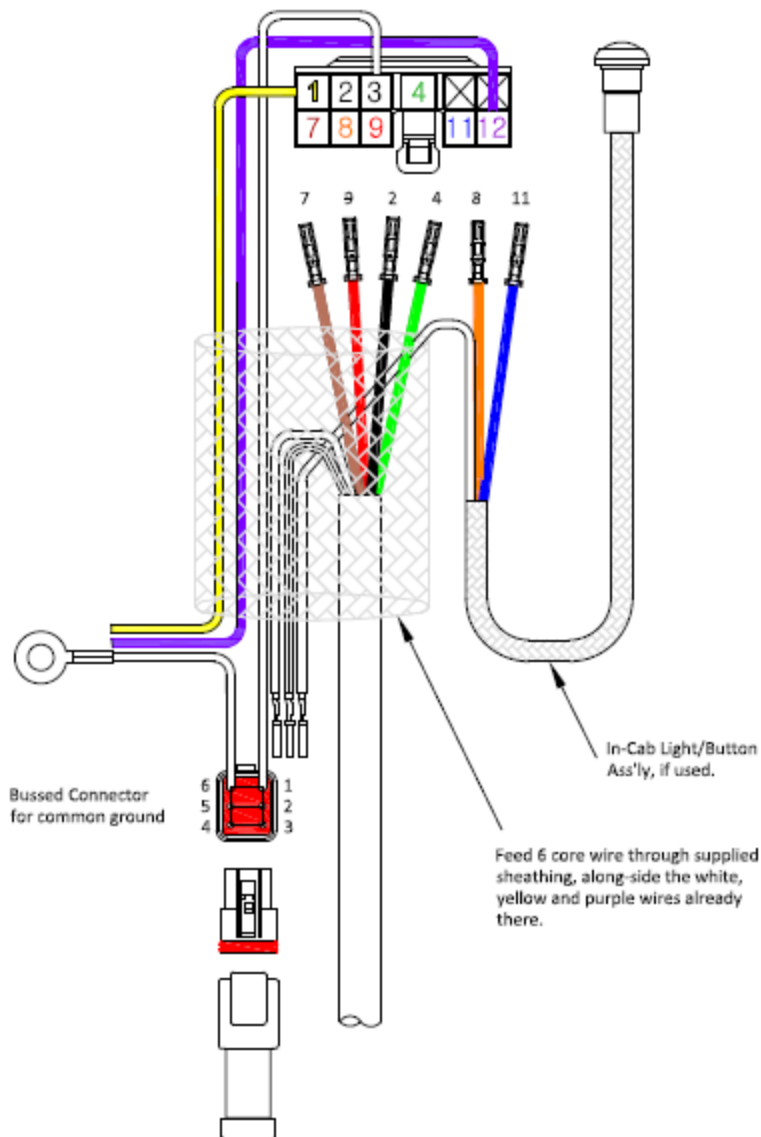


LED will illuminate when the solenoid is energized, and will glow dimly when there is loss of connection to the solenoid



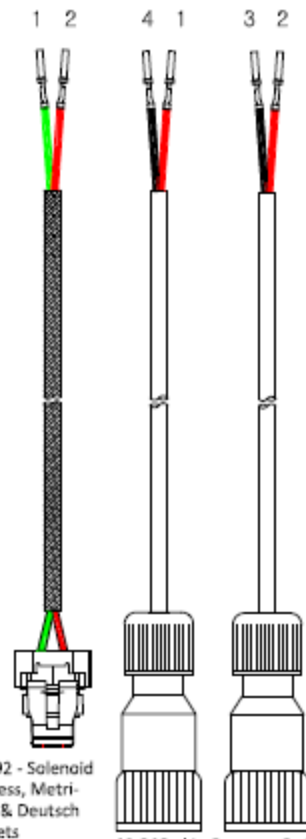
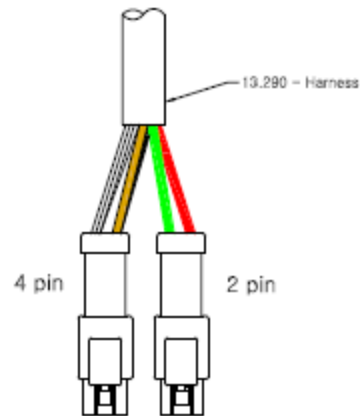
Timer End of Harness - In Cab

#1	Yellow	Ignition
#2	Black	Pressure Switch
#3	White	Ground
#4	Green	(+) Solenoid/Motor
#5	X	not used
#6	X	not used
#7	Brown	Low Level
#8	Orange	Cab Light
#9	Red	(-) Solenoid/Motor
#10	X	not used
#11	Blue	Test Button
#12	Purple	Battery



Flns 1&6 Power connections can also be used with Electric Pumps.
 Flns 2&5 Pressure switch connections can also be used with Electric Pumps.

THIS DRAWING IS THE INTELLECTUAL PROPERTY OF LUBECORE INTERNATIONAL. THE INFORMATION CONTAINED IN THIS DRAWING IS THE SOLE PROPERTY OF LUBECORE INTERNATIONAL. ANY REPRODUCTION IN PART OR AS A WHOLE WITHOUT THE WRITTEN PERMISSION OF LUBECORE IS PROHIBITED



13.292 - Solenoid Harness, Metri-pack & Deutsch Sockets

13.046 - kit, Pressure Switch / Low Level Harness - Deutsch

54.046 - Ground Jumper, used when no PS or LL



Power Harness 25' MK 2 Timer 2016

LUBECORE

REV. 05-2016 75.012 new
 DRAWN BY Bert van Baalen