

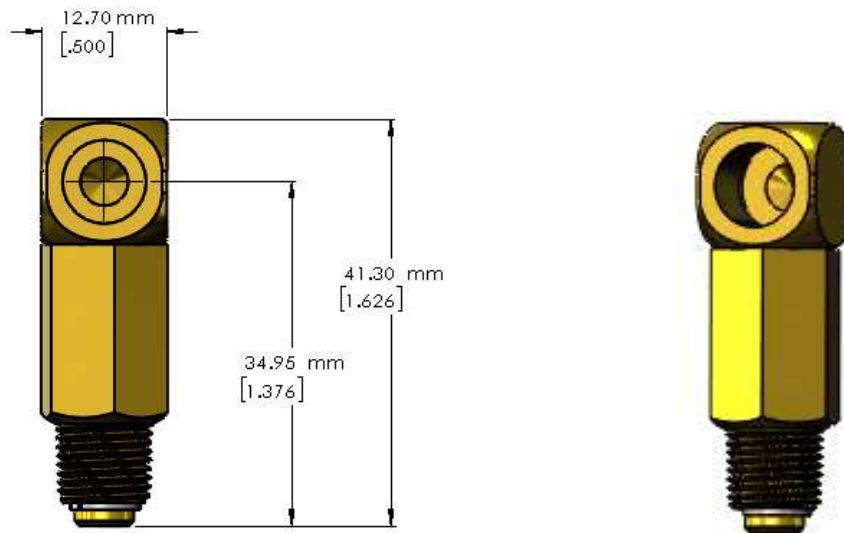


Lubecore New Product Announcement

90° Cube Swivel Elbow

Lubecore International introduces a 90° cube style swivel elbow. The swivel feature allows for easier installation and the compact cube design permits threading into recessed holes. Both the male swivel body and the female swivel body are made from brass which provides excellent corrosion protection, additionally the inherent properties of brass provide better wear characteristics than aluminum or carbon steel. This new design has been performance tested to a burst pressure rating at 3600 psi and will adequately meet the requirements of the Lubecore system.

Lubecore recently manufactured and installed these fittings on a fuel cylinder delivery truck lift gate with a recessed grease point. The fitting worked well between the gate and support frame while accounting for lift gate pivoting.



| Part Number | Description |
|-------------|-----------------------|
| 20.262 | 90° Cube Swivel Elbow |